

ALED3T150W/D10/LC USA



Specification grade area lights available in IES Type III distribution. For use for roadway, general parking and other area lighting applications where a larger pool of lighting is required. Patent pending thermal management system. 5 Year Warranty. Includes built in support for Lightcloud, a wireless lighting control system and service, fully developed by RAB.

Color: White

Weight: 32.0 lbs

Project:

Type:

Prepared By:

Date:

Driver Info

| | |
|--------------|------------------|
| Type: | Constant Current |
| 120V: | 1.31A |
| 208V: | 0.80A |
| 240V: | 0.69A |
| 277V: | 0.60A |
| Input Watts: | 155W |
| Efficiency: | 97% |

LED Info

| | |
|-----------------|---------|
| Watts: | 150W |
| Color Temp: | 5000K |
| Color Accuracy: | 71 CRI |
| L70 Lifespan: | 100000 |
| Lumens: | 16839 |
| Efficacy: | 108 LPW |

Technical Specifications

Lightcloud

Lightcloud Controller Installed:

Lightcloud is a commercial wireless lighting control system and service fully developed and supported by RAB. It's powerful and flexible, yet easy to use and install.

Listings

DLC Listed:

This product is on the Design Lights Consortium (DLC) Qualified Products List and is eligible for rebates from DLC Member Utilities.

DLC Product Code: PHQG1YES

UL Listing:

Suitable for wet locations.

IESNA LM-79 & LM-80 Testing:

RAB LED luminaires have been tested by an independent laboratory in accordance with IESNA LM-79 and LM-80, and have been received the Department of Energy "Lighting Facts" label.

Dark Sky Approved:

The International Dark Sky Association has approved this product as a full cutoff, fully shielded luminaire.

Electrical

Dimming Driver:

Driver includes dimming control wiring for 0-10V dimming systems. Requires separate 0-10V DC dimming circuit. Dims as low as 10%.

Drivers:

Two Drivers, Constant Current, Class 2, 2000mA, 100-277V, 50-60Hz, Power Factor 99%

THD:

6% at 120V, 11.3% at 277V

Surge Protection:

4kV

LED Characteristics

Lifespan:

100,000-hour LED lifespan based on IES LM-80 results and TM-21 calculations.

LEDs:

Multi-chip, high-output, long-life LEDs

Color Consistency:

7-step MacAdam Ellipse binning to achieve consistent fixture-to-fixture color.

Color Stability:

LED color temperature is warranted to shift no more than 200K in CCT over a 5 year period.

Color Uniformity:

RAB's range of CCT (Correlated Color Temperature) follows the guidelines of the American National Standard for Specifications for the Chromaticity of Solid State Lighting (SSL) Products, ANSI C78.377-2017.

Construction

IES Classification:

The Type III distribution is ideal for roadway, general parking and other area lighting applications where a larger pool of lighting is required. It is intended to be located near the side of the area, allowing the light to project outward and fill the area.

Effective Projected Area:

EPA = 0.75

Maximum Ambient Temperature:

Suitable for use in 40°C (104°F) ambient temperatures

Cold Weather Starting:

Minimum starting temperature is -40°C (-40°F)

Thermal Management:

Superior thermal management with external "Air-Flow" fins.

Lens:

Tempered glass lens.

Housing:

Die-cast aluminum housing, lens frame and mounting arm.

IP Rating:

Ingress Protection rating of IP66 for dust and water

Mounting:

Universal mounting arm compatible for hole spacing patterns from 1" to 5 1/2" center to center. Round Pole Adaptor plate included as a standard. Easy slide and lock to mount fixture with ease.

Reflector:

Specular vacuum-metallized polycarbonate

Gaskets:

High-temperature silicone gaskets

Finish:

Formulated for high-durability and long lasting color.

ALED3T150W/D10/LC USA



Technical Specifications (continued)

Construction

Green Technology:

Mercury and UV free. RoHS compliant components. Polyester powder coat finish formulated without the use of VOC or toxic heavy metals.

For use on LEED Buildings:

IDA Dark Sky Approval means that this fixture can be used to achieve LEED Credits for Light Pollution Reduction.

Other

California Title 24:

ALED3T150/D10 with the 0-10V driver option is compliant with 2013 California Title 24 building and electrical codes as a commercial outdoor pole-mounted fixture > 75 Watts mounted up to 24 feet when used with the RAB Stealth Dimmer. Use catalog number STLDIM10 to order a Stealth Dimmer module. Mounting heights greater than 24 feet require only a photocell. See ALED3T150/PCS or ALED3T150/PCS2 for photocell models.

Compatibility:

Compatible with Round Poles with a diameter of 2.5" to 6"

Warranty:

RAB warrants that our LED products will be free from defects in materials and workmanship for a period of five (5) years from the date of delivery to the end user, including coverage of light output, color stability, driver performance and fixture finish.

Replacement:

Replaces 400W Metal Halide

FTC Country of Origin:

This product was assembled in the USA by RAB using imported components.

Buy American Act Compliance:

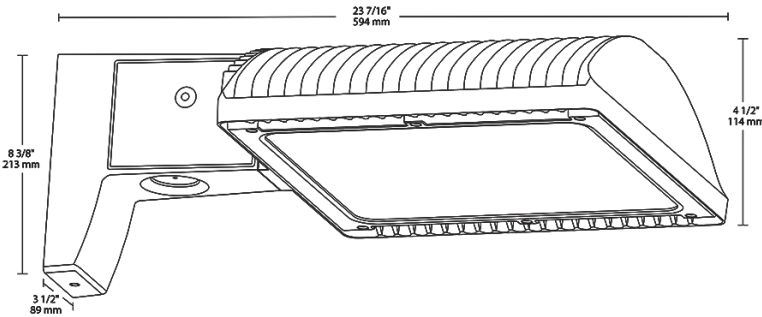
This product complies with the Buy American Act.

Optical

BUG Rating:

B1 U0 G2

Dimensions



Features

- Lightcloud wireless control system built in
- 66% energy cost savings vs. HID
- 100,000-hour LED lifespan
- Type III distribution
- 5-year warranty
- Easy setup - simply power on and call 844-LIGHTCLOUD

Ordering Matrix

| Family | Distribution | Optics | Wattage | Color Temp | Mounting | Finish | Dimming | Lightcloud | Driver Options | Photocell Options |
|--------|---------------|---------------|------------|----------------------|--------------------|-------------------|--------------------|-----------------------------|--------------------------------------|---|
| ALED | 3T | 3T | 150 | | | W | W | | | /D10 |
| | 3T = Type III | 2T = Type II | 105 = 105W | Blank = 5000K (Cool) | Blank = Pole mount | Blank = Bronze | Blank = No Dimming | /LC = Lightcloud® Installed | Blank = 120-277V | Blank = No Option |
| | | 3T = Type III | 125 = 125W | Y = 3000K (Warm) | SF = Slipfitter | W = White | /D10 = Dimmable | | /480 = 480V (not available for 150W) | /PC = 120V Button Photocell (Pole mount models only) |
| | | 4T = Type IV | 150 = 150W | N = 4000K (Neutral) | | RG = Roadway Gray | | | /BL = Bi-Level | /PC2 = 277V Button Photocell (Pole mount models only) |
| | | | 260 = 260W | | | | | | /D10 = 0-10V Dimming | /PCT = 120-277V Twistlock Photocell (Pole mount models only) |
| | | | 360 = 360W | | | | | | | /PCT4 = 480V Twistlock Photocell (Pole mount models only) |
| | | | 50 = 50W | | | | | | | /PCS = 120V Swivel Photocell |
| | | | 78 = 78W | | | | | | | /PCS2 = 277V Swivel Photocell |
| | | | | | | | | | | /PCS4 = 480V Swivel Photocell |
| | | | | | | | | | | /WS2 = Multi-Level Motion Sensor 20 ft. (Only available 0-10V dimming models) |
| | | | | | | | | | | /WS4 = Multi-Level Motion Sensor 40 ft. (Only available 0-10V dimming models) |